



MODEL GBX-741 AND GBX-722

BUTANE & PROPANE EXTRACTION PUMPS

Low-Pressure, High Flow, Oil Free


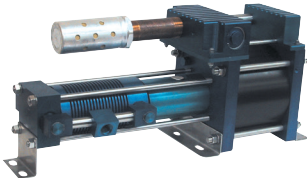
These units are designed for subcritical and supercritical Botanical Oil extraction using Butane & Propane. It consists of a large area double acting drive piston directly connected, through a high pressure seal and bearings, to a double acting or 2-stage boost piston. The drive section includes a spool type directional control valve and poppet type pilot valves to allow automatically reciprocate when compressed air (or a suitable gas) is applied to the drive port. Drive exhaust is routed to a muffler which is positioned near the finned gas section to enhance cooling.

Model GBX-741 is a double acting configuration. The boost piston provides double acting flow due to the action of the dual inlet and outlet check valves built in.

Model GBX-722 is a 2-stage configuration. Output is only provided during the "pull" stroke (2nd stage). On the opposite stroke (1st stage), gas is compressed and transferred into the 2nd stage whose volume is somewhat smaller due to the connecting rod.

Hydraulics International, Inc.

SPECIFICATIONS:

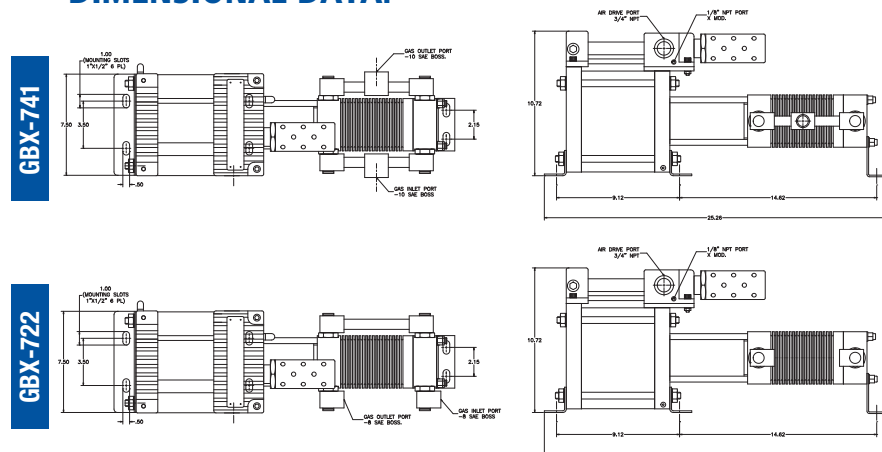
<p>Designed, Manufactured and Tested in the USA</p> 		
	Description	GBX-741
Pump Configuration	Double Acting	2-Stage
Pump Displacement per cycle	41.4 cu-in	21.6 cu-in
Vacuum Draw	N/A	To 27" HG
Gas Inlet & Outlet ports	5/8" SAE	1/2" SAE
Max Outlet Pressure	Drive pressure x 7:1 area ratio + inlet pressure	
Min Drive Air Pressure	12-psi	
Max Drive Air Pressure	150-psi	
Max Boost Pressure Rating	1250-psi	
Drive Port Size	3/4" NPTF	

PERFORMANCE:

Inlet Pressure-PSIG	Discharge Flow Rate – Lbs./min *	
	GBX-741	GBX-722
80	1.48	0.85
70	1.29	0.76
60	1.12	0.67
50	0.94	0.58
40	0.77	0.49
30	0.62	0.40
20	0.46	0.31
10	0.33	0.22
0	0.00	0.14

Note: Data based on 100-psi drive operating at 70 cycles/min

DIMENSIONAL DATA:



HYDRAULICS INTERNATIONAL, INC.® (HII)

9201 Independence Ave., Chatsworth, CA 91311 USA

(Phone) 818.407.3400 | (Fax) 818.407.3428 www.hiigroup.com